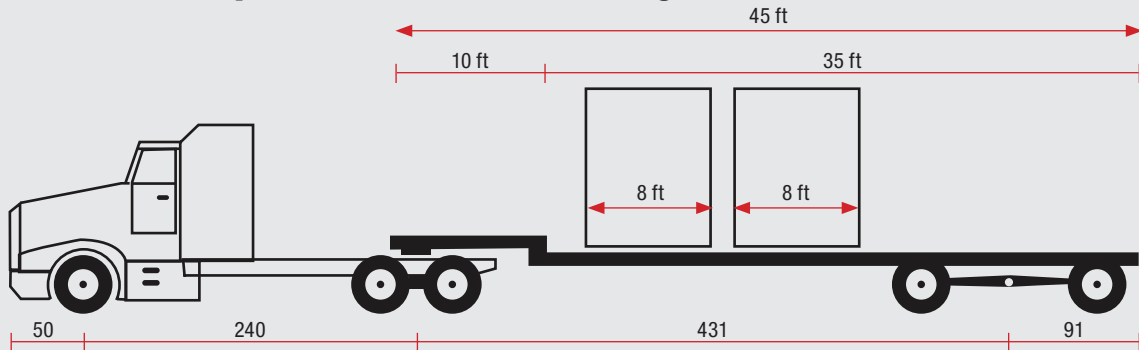


VERSA**FRAC**TILITY

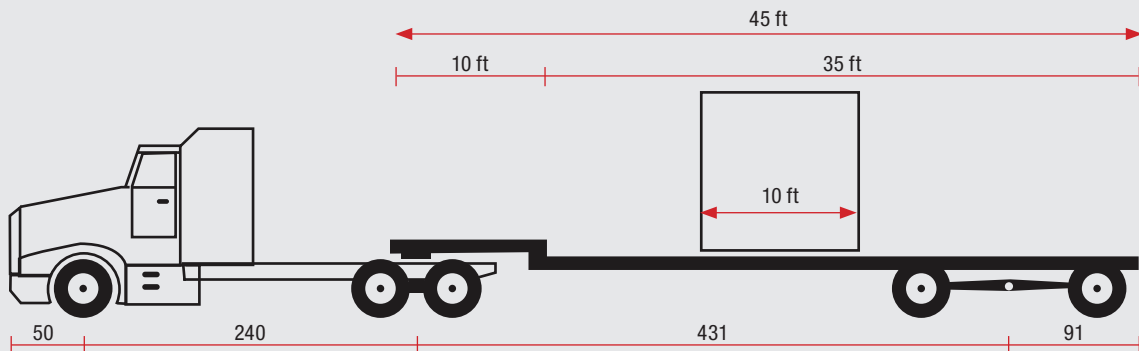
Designed for **maximum payload**

Fontaine **45ft** drop frac sand chasis weight distribution with two 8ft bins



Tare Weight	10,212 lbs	10,249 lbs	6,100 lbs	26,561 lbs
Payload	0	22,560 lbs	27,440 lbs	50,000 lbs
Total	10,212 lbs	32,809 lbs	33,540 lbs	76,561 lbs
Legal limit				80,000 lbs

Fontaine **45ft** drop frac sand chasis weight distribution with one 10ft bin



Tare Weight	10,212 lbs	10,249 lbs	6,100 lbs	26,561 lbs
Payload	0	17,492 lbs	32,508 lbs	50,000 lbs
Total	10,212 lbs	27,741 lbs	38,608 lbs	76,561 lbs
Legal limit				80,000 lbs

Visit your local Fontaine
 Trailer Dealer today!



www.fontainefirst.com/frac

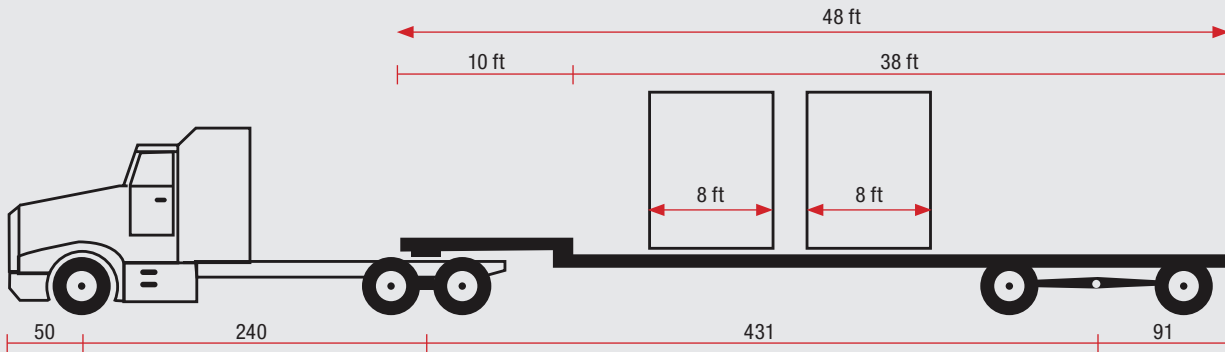
See our frac sand hauling solutions at
fontainetrailer.com/frac



VERSA**FRAC**TILITY

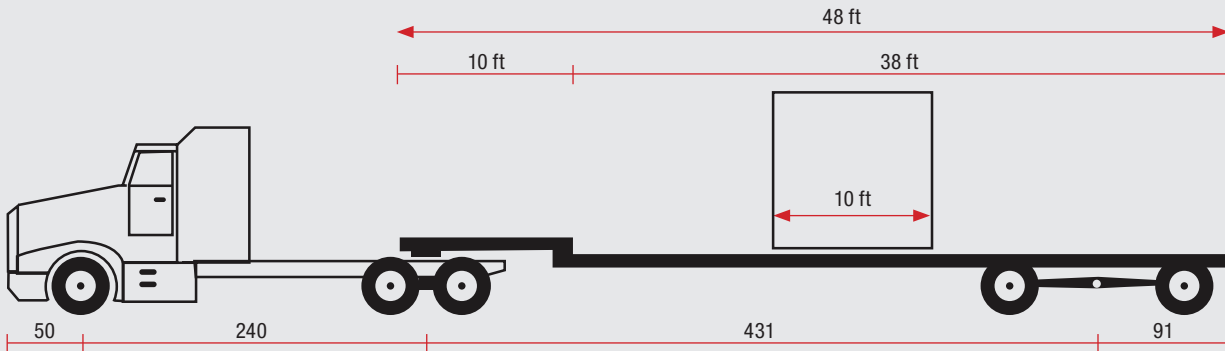
Designed for **maximum payload**

Fontaine **48ft** drop frac sand chasis weight distribution with two 8ft bins



Tare Weight	10,212 lbs	10,269 lbs	6,280 lbs	26,761 lbs
Payload	0	22,748 lbs	27,252 lbs	50,000 lbs
Total	10,212 lbs	33,017 lbs	33,532 lbs	76,761 lbs
Legal limit				80,000 lbs

Fontaine **48ft** drop frac sand chasis weight distribution with one 10ft bin



Tare Weight	10,212 lbs	10,269 lbs	6,280 lbs	26,761 lbs
Payload	0	18,070 lbs	31,930 lbs	50,000 lbs
Total	10,212 lbs	28,339 lbs	38,210 lbs	76,761 lbs
Legal limit				80,000 lbs

Visit your local Fontaine
 Trailer Dealer today!



www.fontainefirst.com/frac

See our frac sand hauling solutions at
fontainetrailer.com/frac

